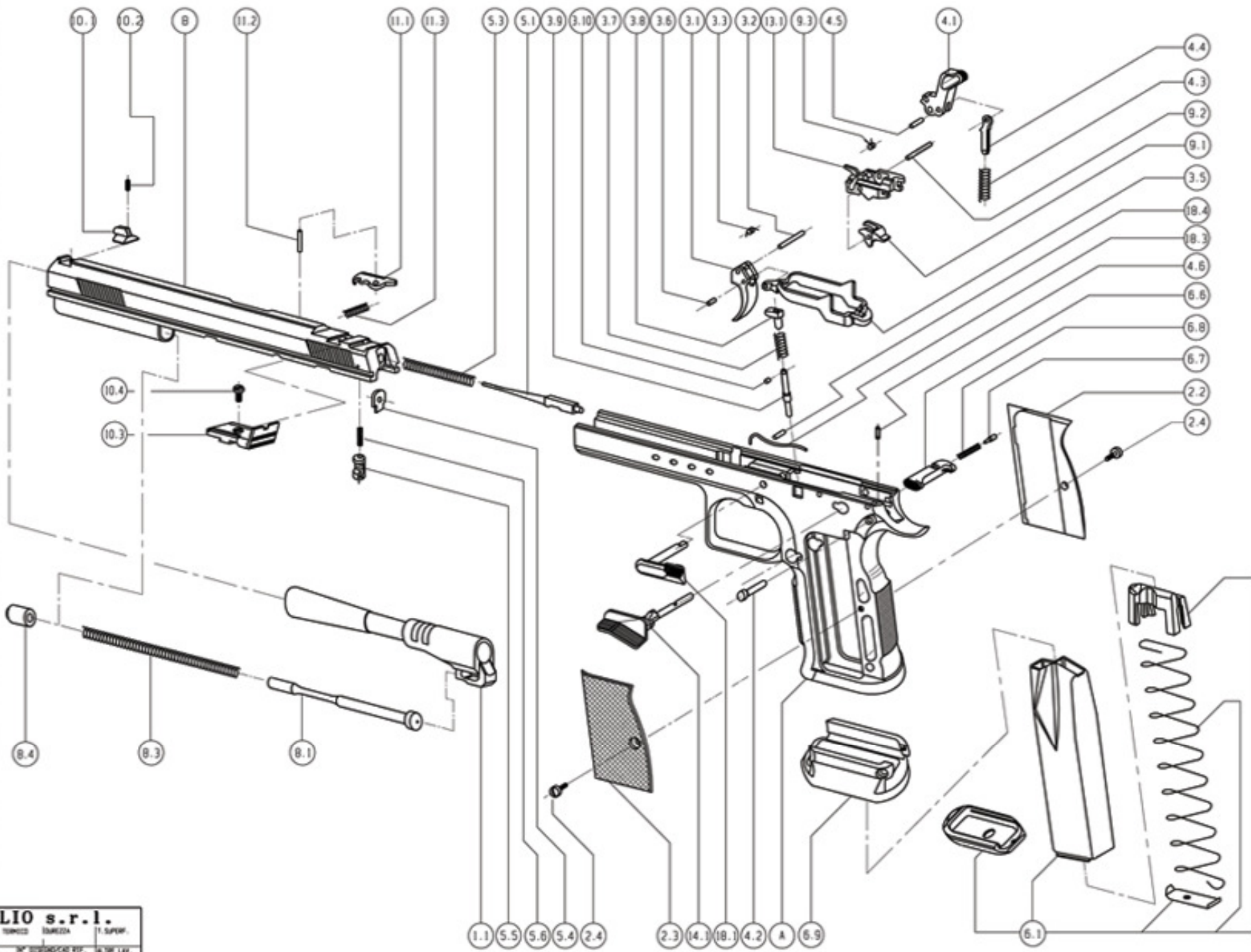


# PARTS LIST

- 1.1 - BARREL
- 2.2 - RIGHT GRIP
- 2.3 - LEFT GRIP
- 2.4 - GRIP SCREWS
- 3.1 - TRIGGER
- 3.2 - TRIGGER PIN
- 3.3 - TRIGGER SPRING
- 3.5 - TRIGGER BAR
- 3.6 - TRIGGER BAR PIN
- 3.7 - TRIGGER BAR SPRING
- 3.8 - TRIGGER BAR GUIDE
- 3.9 - TRIGGER BAR PLUNGER
- 3.10 - TRIGGER BAR PLUNGER PIN
- 4.1 - HAMER
- 4.2 - HAMER PIN
- 4.3 - HAMER SPRING
- 4.4 - HAMER STRUT
- 4.5 - HAMER STRUT PIN
- 4.6 - HAMER PIN PIN
- 5.1 - FIRING PIN
- 5.3 - FIRING PIN SPRING
- 5.4 - FIRING PIN RETAINER
- 5.5 - FIRING PIN SAFETY
- 5.6 - FIRING PIN SAFETY SPRING
- 6.1 - MAGAZINE
- 6.6 - MAGAZINE CATCH
- 6.7 - MAGAZINE CATCH PLUNGER
- 6.8 - MAGAZINE CATCH SPRING
- 6.9 - MAGAZINE WELL
- 8.1 - RECOIL SPRING GUIDE
- 8.3 - RECOIL SPRING
- 8.4 - BUSHING
- 9.1 - SEAR
- 9.2 - SEAR PIN
- 9.3 - SEAR SPRING
- 10.1 - FRONT SIGHT
- 10.2 - FRONT SIGHT SCREW
- 10.3 - ADJUSTABLE REAR SIGHT
- 10.4 - ADJUSTABLE REAR SIGHT SCREW
- 11.1 - EXTRACTOR
- 11.2 - EXTRACTOR PIN
- 11.3 - EXTRACTOR SPRING
- 13.1 - SEAR HOUSING
- 14.1 - SAFETY
- 18.1 - SLIDE STOP PIN
- 18.2 - SLIDE STOP PIN SPRING
- 18.3 - SLIDE STOP PIN SPRING PIN
- 18.4 - SLIDE STOP PIN SPRING PIN
- A - FRAME
- B - SLIDE



**FRATELLI TANFOGLIO s.r.l.**

DIRETTORE RESPONSABILE: **ESP/10**  
 DATA: **30-06-97**  
 MODELLO: **LIMITED CUSTOM MC ESP LIMUSC**  
 APPROVATO: **PARTICIA**  
 DATA:

N° IDENTIFICAZIONE: **ESP/10**  
 N° IDENTIFICAZIONE: **ESP LIMUSC**  
 ALTRE LING.

**EXPLODED VIEW**

La diffusione e riproduzione del presente disegno è vietata ai termini di legge